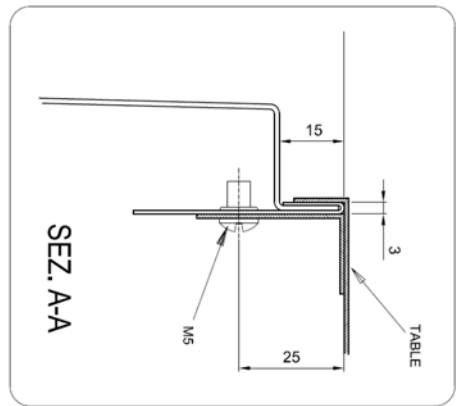
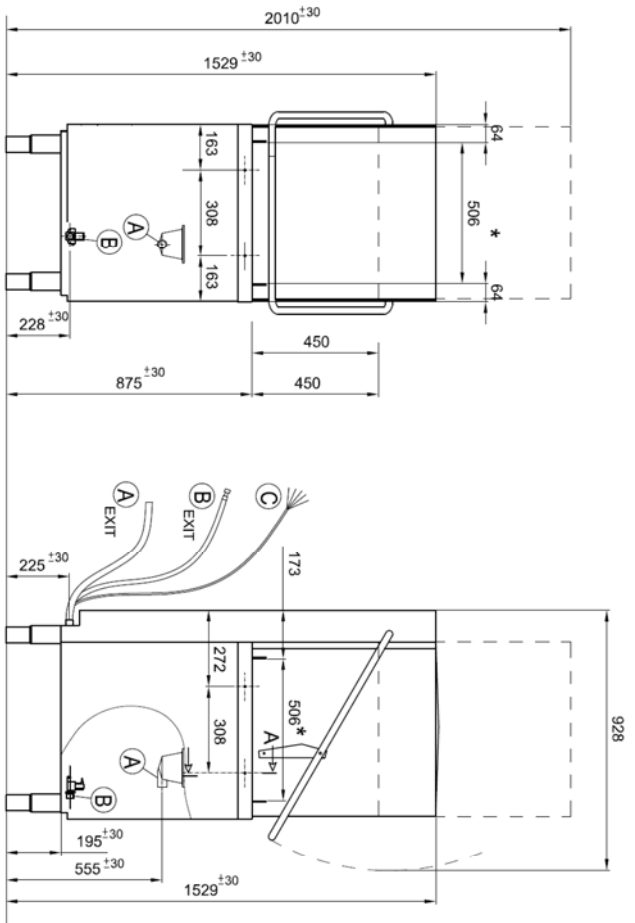
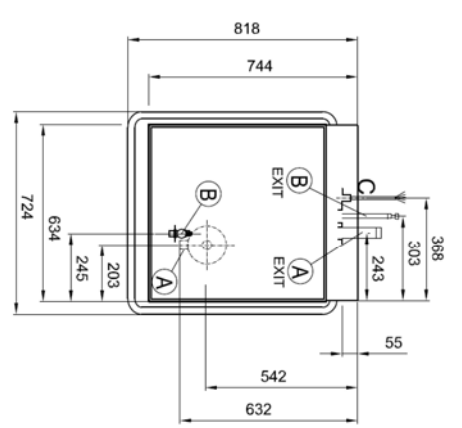


	<i>Model</i>	LCP4550BD	
	<i>Code Production</i>	ST3801INF	
Interface : 			
	<i>Overall Dimension (Width-Depth-Height) *open</i>	mm	724x818x1529(2010*)
	<i>Packaging Dimension (WxDxH)</i>	mm	760x840x1520
	<i>Gross weight</i>	Kg	100
	<i>Net weight</i>	Kg	90
	<i>Volume</i>	mc	0,97
	<i>Rack size</i>	mm	500x500
	<i>Max door /hood opening</i>	mm	450
	<i>Max glasses/plate Height</i>	mm	425/440
	<i>General construction</i>		single skin
	<i>Door/hood Construction</i>		single skin
	<i>Tank construction</i>		fully deep drawn
	<i>Tank volume</i>	liter	15
	<i>Tank heating element</i>	W	2100
	<i>Tank surface strainers</i>		yes - composite
	<i>Wash pump type</i>		double flow
	<i>Wash pump power</i>	W	500
	<i>Wash temperature</i>	°C	60
	<i>Boiler type</i>		pressurized
	<i>Boiler volume</i>	liter	6
	<i>Back-flow system</i>		Valve
	<i>Boiler heating element</i>	W	8000
	<i>Rinse booster pump</i>		NO
	<i>Rinse booster pump power</i>	W	-
	<i>Rinse temperature</i>	°C	80
	<i>Rinse water consumption</i>	Liter /rack	2,2
	<i>Optimal external water pressure</i>	bar	2-4
	<i>Drain system</i>		partial drain
	<i>Drain pump</i>		standard built in
	<i>Rinse aid dispenser</i>		YES
	<i>Detergent dispenser</i>		optional
	<i>Wash cycle</i>	sec	90 - 150
	<i>Electric Power</i>	W	8500
	<i>Electric Connection</i>	V - ph - Hz	400V 3N 50Hz
	<i>Fuse</i>	A	16
	<i>Plates racks</i>	N°1	780131
	<i>Flat Rack</i>	N°1	780132
	<i>Cutterly Rack</i>	N°1	780139
	<i>Electric cable</i>		YES
	<i>Drain hose</i>		YES
	<i>Fill hose</i>		YES

A		∅ 35 mm M	A	EXIT	∅ 35 mm M
B		G 3/4" M	B	EXIT	G 3/4" F
C		Power supply			



* LUCE UTILE PER CESTELLO
 USEFUL SPACE FOR BASKET
 LUMIERE UTILE POUR PANIER
 NUTZBARE OFFENUNG FÜR KORBE
 ABERTURA UTILI PARA CESTO

Designed by:	M.PUCCI	Date:	15.07.2014	Denomination:	Hood type	Code:	NH50	Riv.:	00
--------------	---------	-------	------------	---------------	-----------	-------	------	-------	----

